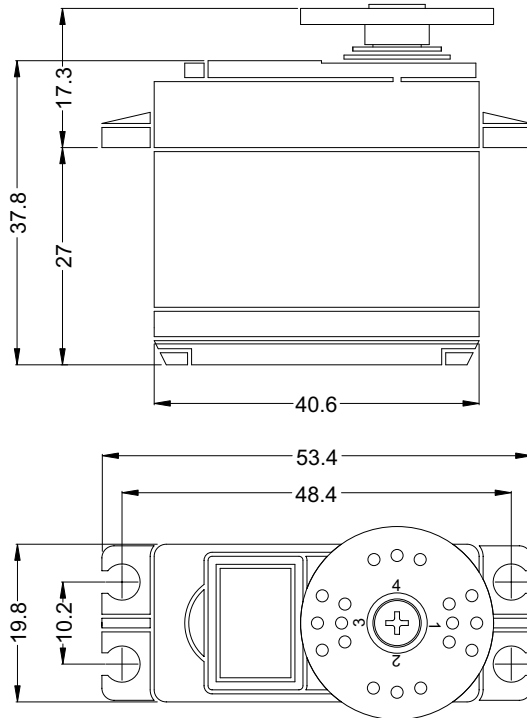


ANNOUNCED SPECIFICATION OF HS-5645MG STANDARD SPORT DIGITAL HIGH TORQUE SERVO

1. TECHNICAL VALUES

| | | |
|-----------------------------|--|-------------------------|
| CONTROL SYSTEM | :+PULSE WIDTH CONTROL 1500usec NEUTRAL | |
| OPERATING VOLTAGE RANGE | :4.8V TO 6.0V | |
| OPERATING TEMPERATURE RANGE | :-20 TO +60° C | |
| TEST VOLTAGE | :AT 4.8V | :AT 6.0V |
| OPERATING SPEED | :0.23sec/60° AT NO LOAD | :0.18sec/60° AT NO LOAD |
| STALL TORQUE | :10.3kg.cm(143.03oz.in) | :12.1kg.cm(168.03oz.in) |
| OPERATING ANGLE | :45° ONE SIDE PULSE TRAVELING 400usec | |
| DIRECTION | :CLOCK WISE/PULSE TRAVELING 1500 TO 1900usec | |
| IDLE CURRENT | :3mA | :3mA |
| RUNNING CURRENT | :350mA | :450mA |
| DEAD BAND WIDTH | :1usec | |
| CONNECTOR WIRE LENGTH | :300mm(11.81in) | |
| DIMENSIONS | :40.6x19.8x37.8mm(1.59x0.77x1.48in) | |
| WEIGHT | :60g(2.11oz) | |



2. FEATURES

- DIGITAL & MOS FET AMP
- PROGRAMMABLE
- 3-POLE FERRITE MOTOR
- DUAL BALL BEARING
- 3-METAL GEARS
- LONG LIFE POTENTIOMETER

3. APPLICATIONS

- AIRCRAFT TO 1/4 SCALE
- 30 TO 60 SIZE HELICOPTERS
- STEERING AND THROTTLE FOR 1/10TH & 1/8TH ON-ROAD AND OFF-ROAD VEHICLES